



US00D493095S1

(12) **United States Design Patent**  
**Sittig**

(10) **Patent No.:** **US D493,095 S**

(45) **Date of Patent:** **\*\* Jul. 20, 2004**

(54) **BED ELEVATOR**

D423,340 S \* 4/2000 Sittig ..... D8/374

(76) Inventor: **Kenneth W. Sittig**, 25 Keegan La.,  
#5B, Greenfield, MA (US) 01301

\* cited by examiner

(\*\*) Term: **14 Years**

*Primary Examiner*—Holly Baynham  
(74) *Attorney, Agent, or Firm*—Steven N. Fox, Esq.

(21) Appl. No.: **29/183,083**

(57) **CLAIM**

(22) Filed: **Jun. 5, 2003**

The ornamental design of a “bed elevator”, as shown and described.

(51) **LOC (7) Cl.** ..... **08-05**

(52) **U.S. Cl.** ..... **D8/374**

(58) **Field of Search** ..... D8/374; 248/346.11,  
248/188.2; 5/658, 663

**DESCRIPTION**

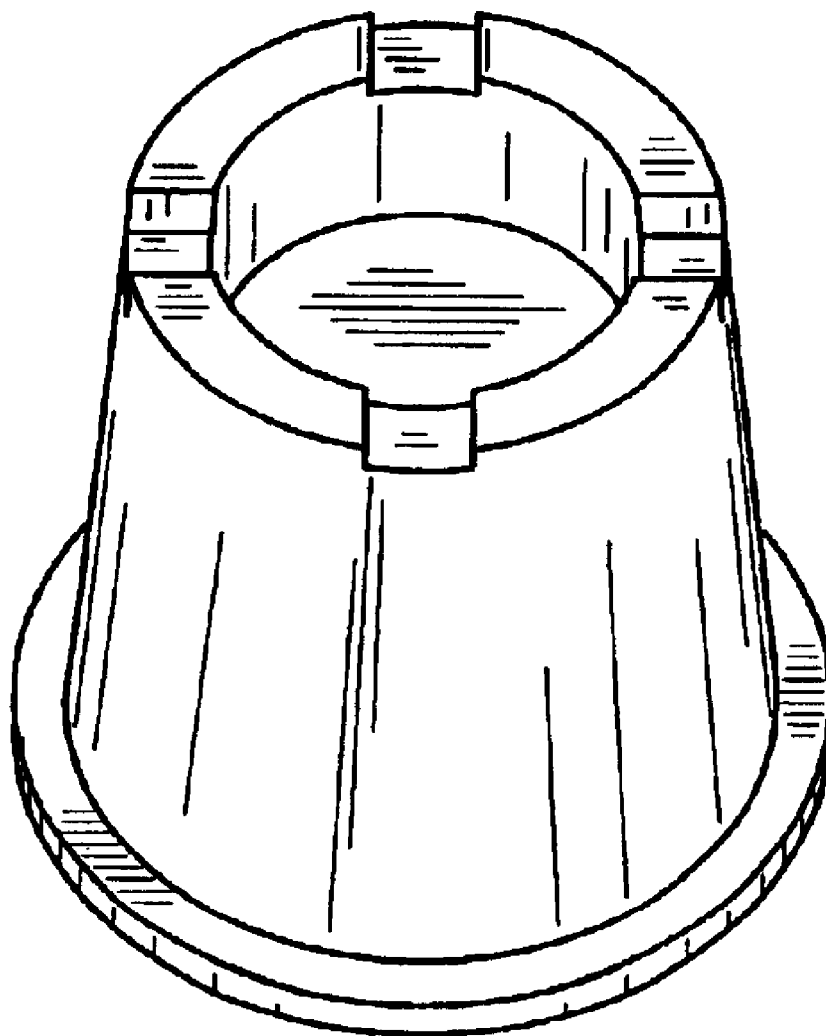
(56) **References Cited**

**U.S. PATENT DOCUMENTS**

- 3,028,703 A \* 4/1962 Matter ..... 248/188.3
- D336,843 S \* 6/1993 Hurst ..... D8/374
- D404,992 S \* 2/1999 Sittig ..... D8/374

FIG. 1 is a perspective view of the present invention;  
FIG. 2 is a top plan view of the present invention;  
FIG. 3 is a front elevation view of the present invention  
which is also illustrative of all side elevation and rear  
elevation views of the present invention; and,  
FIG. 4 is a bottom plan view of the present invention.

**1 Claim, 1 Drawing Sheet**



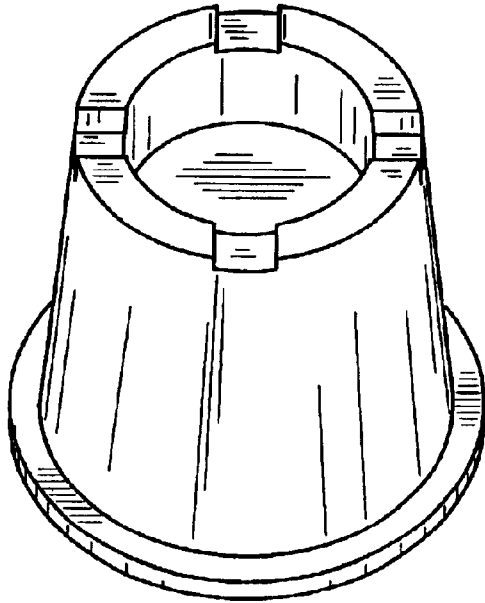


FIG. 1

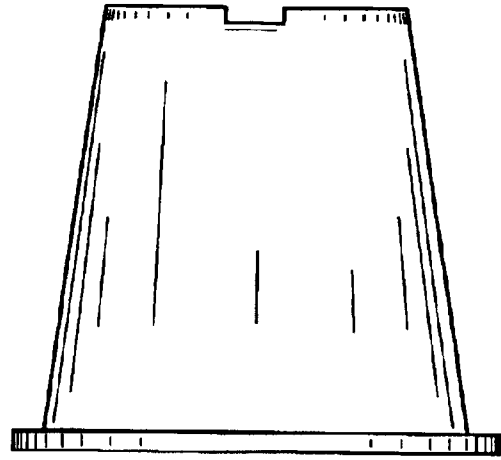


FIG. 3

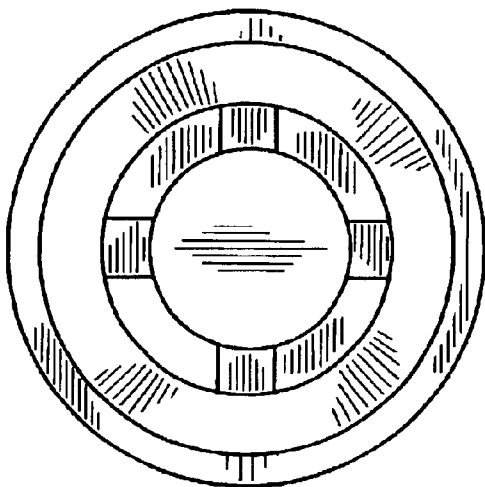


FIG. 2

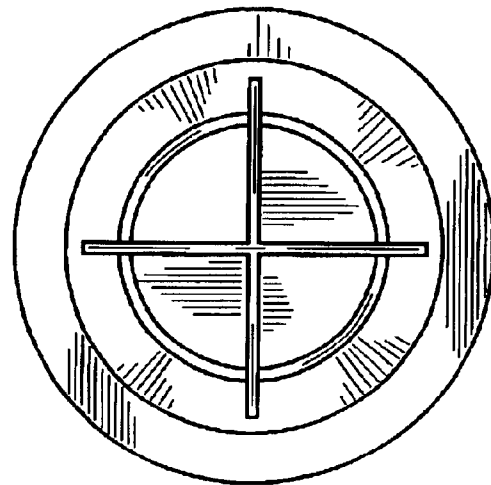


FIG. 4